

Product Specification

Abundance Enterprise Co.

Original Date

28/4/2006

PN:

SX4025



AEC[®]

Abundance Enterprise Co.

PRODUCT SPECIFICATION

CRYSTAL RESONATOR

AEC PART NUMBER / SPEC. NO: SX4025-27M-AF-30/30-60Ω- 18p

CUSTOMER: Quartz 1



This model is ROHS/PB-free compliance according to the ROHS directive 2002/95/EC

Customer's Name	Quartz 1
Production Name	Crystal Resonator
Frequency	27MHz
Model No	SX4025-27M-AF-30/30-60Ω-18p
Issue Date	28/4/2006

Address: Room 602-603, Java Commercial Centre,

128 Java Road,

North Point, Hong Kong

Homepage: <http://www.aeccrystal.com/>

Email: sales@aeccrystal.com

Telephone: (852)-2856 0000

Prepared	Inspection	Approved
<i>Nathan</i>	<i>Andy</i>	<i>Henkie</i>

Product Specification	Abundance Enterprise Co.	Original Date	28/4/2006
		PN:	SX4025

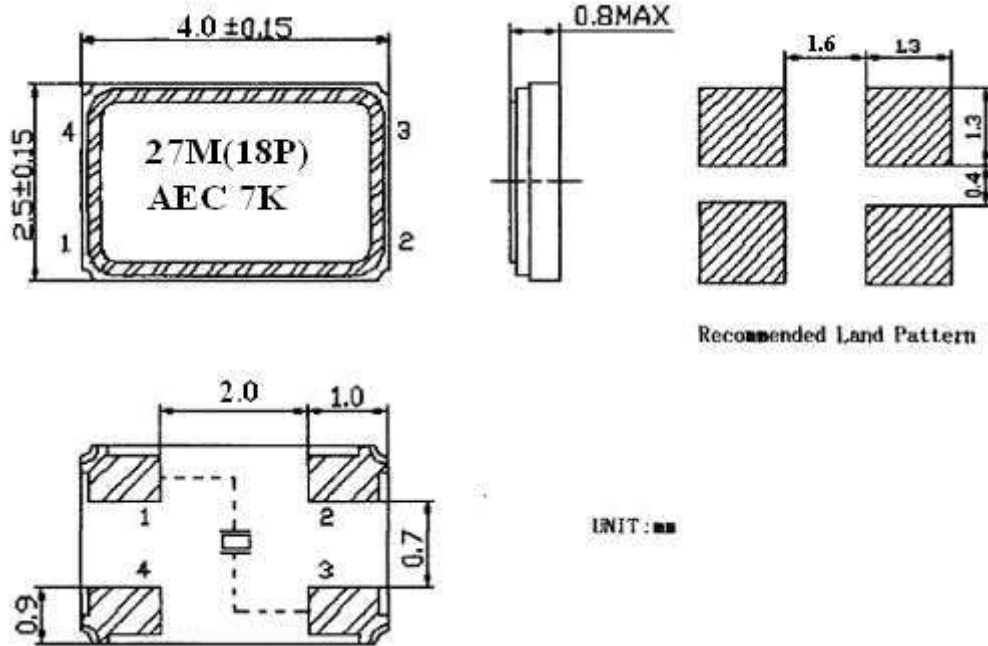
1. GENERAL PROVISION

- 1-1 Production Name: SMD Crystal Resonator
- 1-2 Holder Type: SX4025- 4 PADS
- 1-3 This specification relates to the crystal resonator to be supplied by Abundance Enterprise Co. (AEC).

2. ELECTRICAL DATA

Items	Parameters	Condition
2-1	Type:	4.0 * 2.5 Ceramic SMD
2-2	Normal Frequency	27MHz
2-3	Mode of Oscillation:	AT Fund.
2-4	Operating Temperature Range:	-20°C ~ +70°C
2-5	Storage Temperature Range:	-40°C ~ +85°C
2-6	Test Set:	KH1200 PI-Network
2-7	Drive Level:	100μW
2-8	Loading Capacitance:	18pF
2-9	Frequency Tolerance:	+/-30ppm Max @ +25°C
2-10	Equivalent Resistance:	60 Ω Max
2-11	Stability	+30ppm Max/-20°C to +70°C
2-12	Shunt Capacitance:	7.0pF Max
2-13	Motional Capacitance:	/
2-14	Aging:	+/-5ppm/year
2-15	Insulation Resistance:	500MΩMin/100V+/-15V D.C.
2-16	Reliability:	K-001
2-17	Packing (Tape& Reel)	K-001-A
2-17	Packing (Inside & Outside)	K-002-A

3. DIMENSION & LAND PATTERN



AEC [®] Abundance Enterprise Co.	NO.	Revised DATE	MODIFY CONTENTS		
	1	2006.1.4	NEW UPDATE		
DIMENTION	mm				
SCALE	/	PART NAME	Crystal Resonator		
TOLERANCE	±0.2	MODEL	SX3225		
DRAWING NO. SX4025		APPV'D BY Henkie	CHECK BY Andy	DRAWN BY Nathan	

4. MARKING

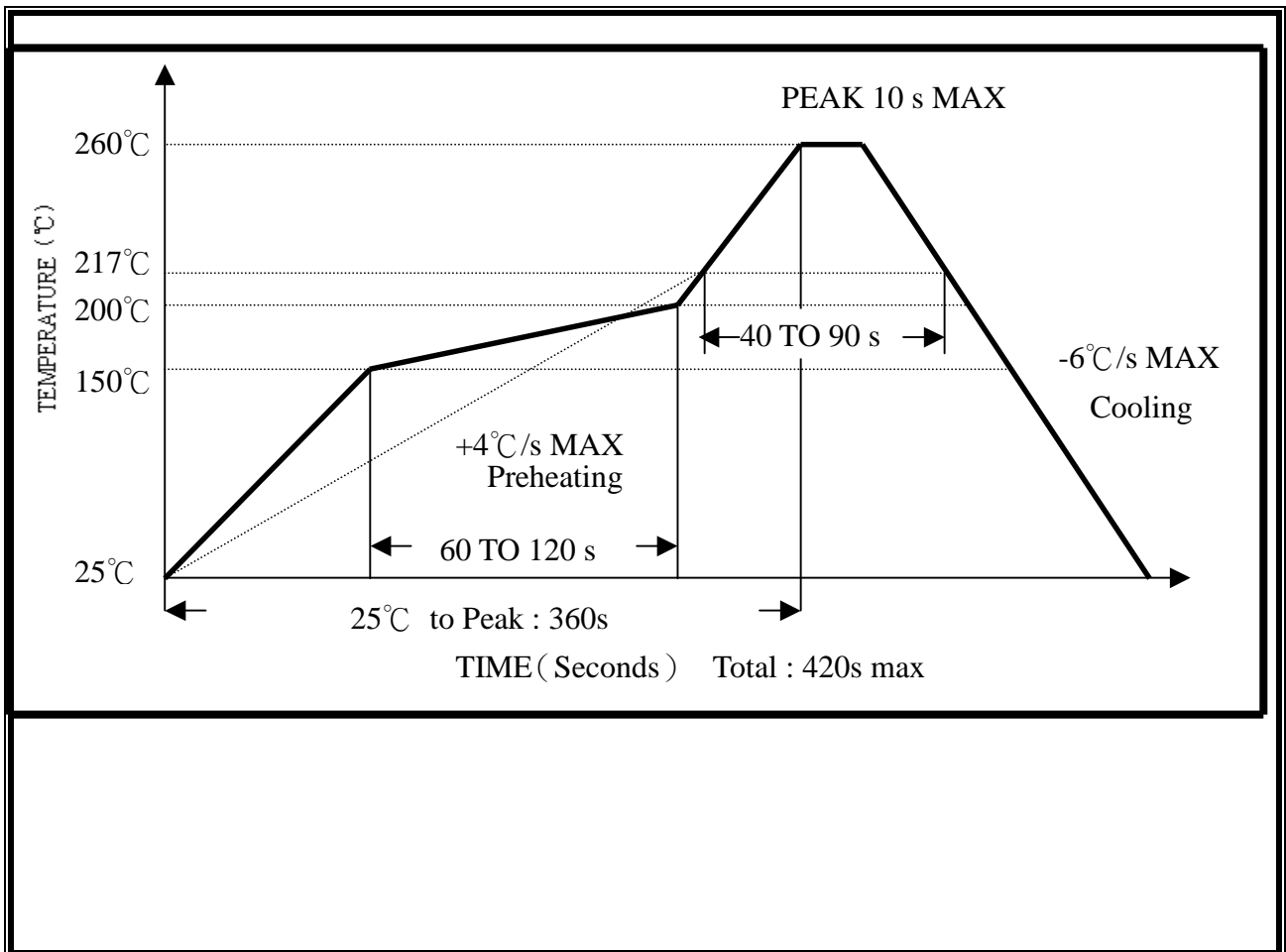
Example

Remarks:

- 1) Frequency- CL
- 2) Logo – Date code

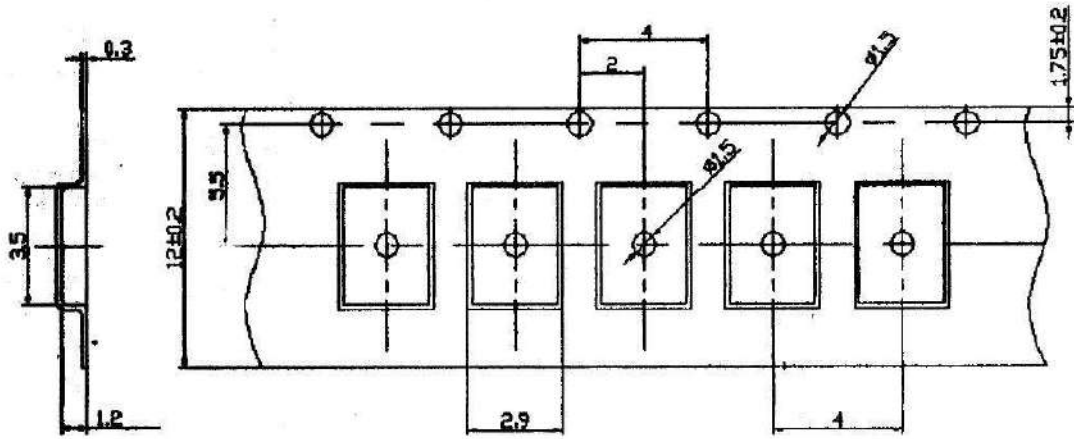


5. SOLDERING REFLOW DIAGRAM

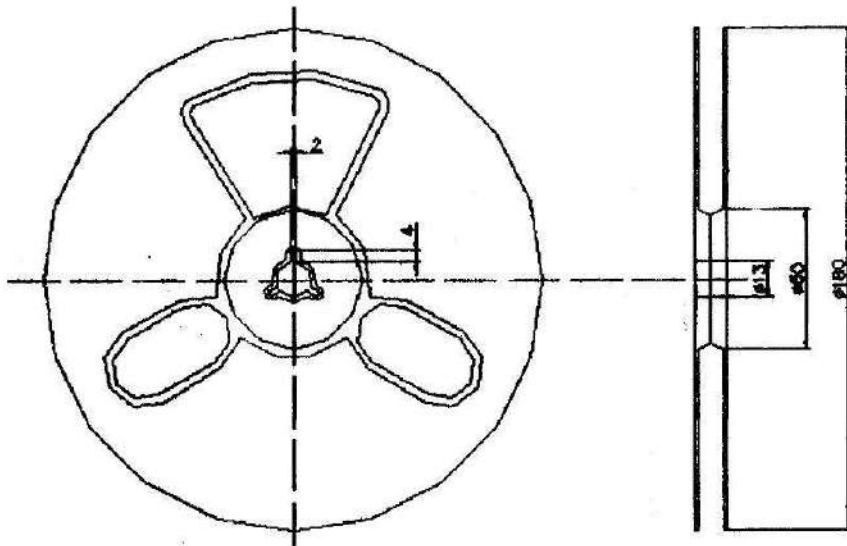


6. REEL Dimension

3.2*2.5SMD

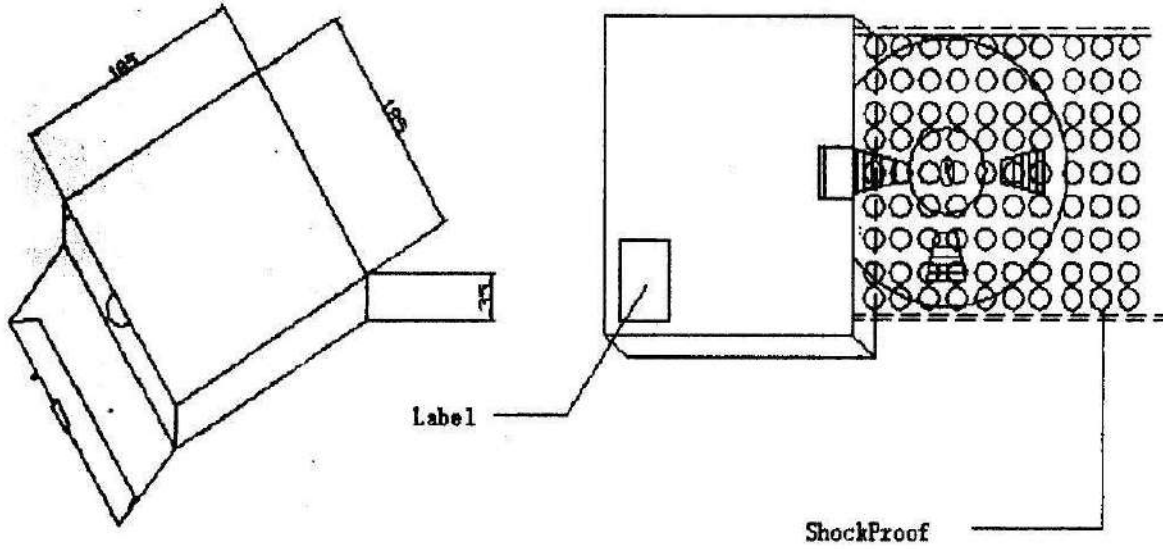


3.2*2.5SMD



7. Package Size

Dimension of Inside Package



Dimensions of outside Package

